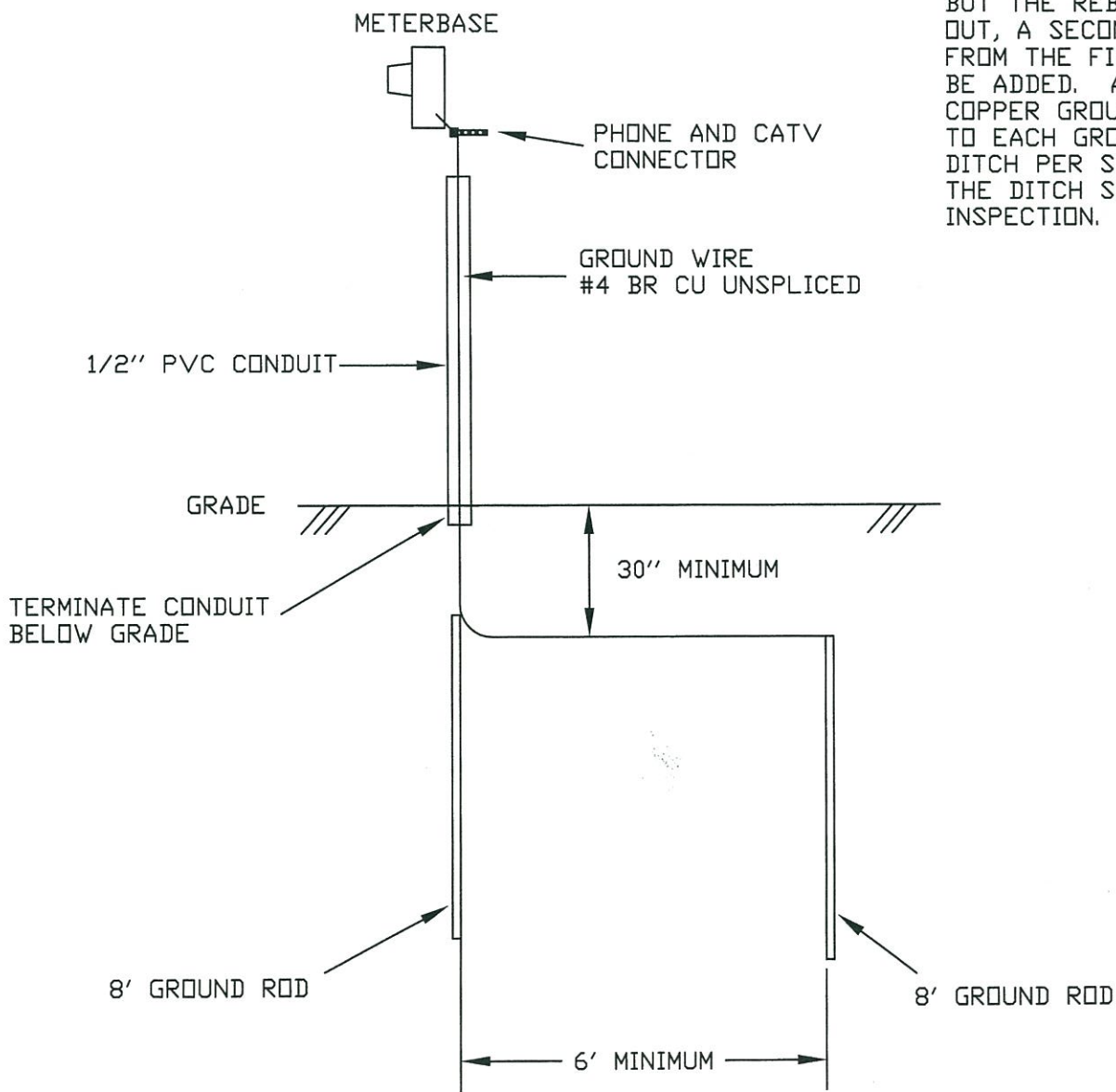


ALTERNATE GROUNDING IF REBAR IS PRESENT IN CONCRETE SLAB OR FOUNDATION

REFERENCE
NEC 250.53



IF REBAR IS PRESENT IN CONCRETE BUT THE REBAR WAS NOT STUBBED OUT, A SECOND 8' GROUND ROD 6' FROM THE FIRST GROUND ROD SHALL BE ADDED. AN UNSPLICED #4 BARE COPPER GROUND WIRE SHALL BE RAN TO EACH GROUND ROD IN A 30" DEEP DITCH PER STATE OF TENNESSEE. THE DITCH SHALL BE OPEN FOR INSPECTION.