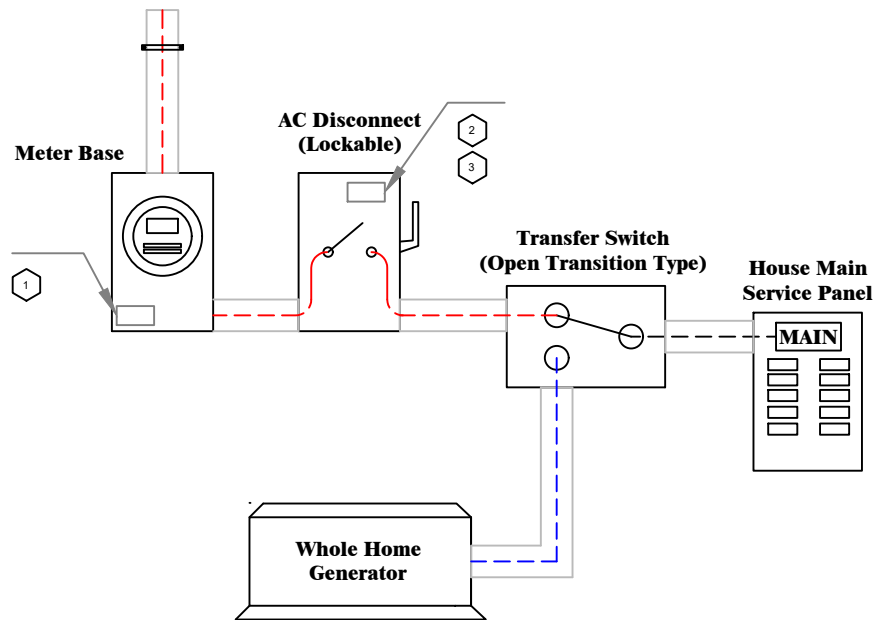


Any active Alternate Feed System that has not been approved by DES
Will Result in Immediate Disconnection of Electric Service



1

!WARNING!

SERVICE IS EQUIPPED WITH AN
ALTERNATE POWER SOURCE

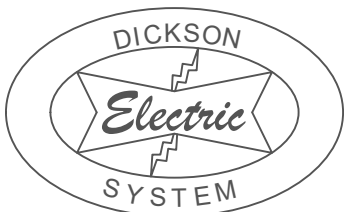
2

DES DISCONNECT

3

One Line Diagram

1. All Whole Home Generator components shall be in compliance with the corresponding NEC and IEEE codes.
2. All transfer switches must be designed to never allow the Whole Home Generator and DES service to be connected at the same time.
3. Installation details shall be approved by DES prior to installation, and must follow the general guidelines depicted in this drawing. Additional Requirements may be necessary as dictated by the appropriate DES Engineer.
4. DES inspector will be required to see system in operation. Be prepared to have a simulated outage by opening the DES disconnect and then transferring over to backup power.
5. If DES inspection fails, a \$50 re-inspection fee must be paid before DES will re-inspect.
6. Any alteration to bypass utility disconnect will result in immediate disconnection of service until a penalty of \$500 is paid and the home system is re-inspected by both DES and the State Electrical Inspector.
7. Any questions or concerns can be directed to: customergeneration@dicksonelectric.com



200A Whole Home Generator

DATE:

10/20/2020

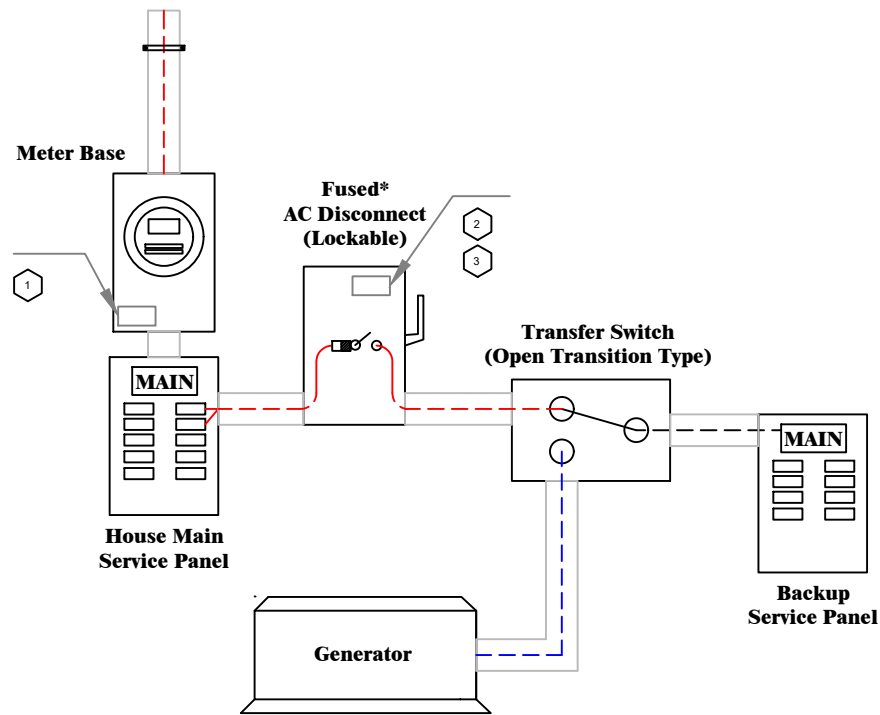
FIGURE NO:

4

SCALE:

NONE

Any active Alternate Feed System that has not been approved by DES
Will Result in Immediate Disconnection of Electric Service



1

!WARNING!
 SERVICE IS EQUIPPED WITH AN
 ALTERNATE POWER SOURCE

2

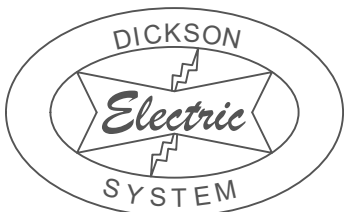
DES DISCONNECT

3

One Line Diagram

1. All Whole Home Generator components shall be in compliance with the corresponding NEC and IEEE codes.
2. All transfer switches must be designed to never allow the Whole Home Generator to be connected to the house main service panel.
3. Installation details shall be approved by DES prior to installation, and must follow the general guidelines depicted in this drawing. Additional Requirements may be necessary as dictated by the appropriate DES Engineer.
4. DES inspector will be required to see system in operation. Be prepared to have a simulated outage by opening the DES disconnect and then transferring over to backup power.
5. If DES inspection fails, a \$50 re-inspection fee must be paid before DES will re-inspect.
6. Any alteration to bypass utility disconnect, including but not limited to wiring an alternate power source into the main panel, will result in immediate disconnection of service until a penalty of \$500 is paid and the home system is re-inspected by both DES and the State Electrical Inspector.
7. Any questions or concerns can be directed to: customergeneration@dicksonelectric.com

*Disconnect is not required to be fused if transfer switch has adequate protection already installed



200A Partial Home Generator

DATE:

10/20/2020

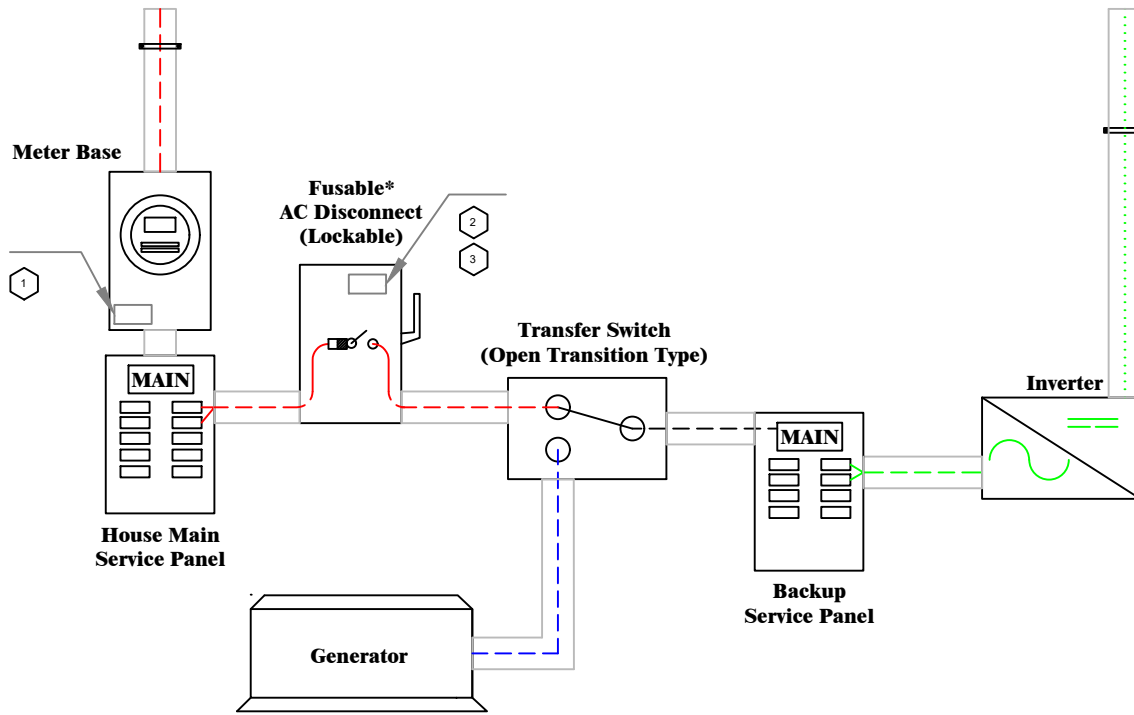
FIGURE NO:

4.1

SCALE:

NONE

Any active Alternate Feed System that has not been approved by DES
Will Result in Immediate Disconnection of Electric Service



1

!WARNING!
 SERVICE IS EQUIPPED WITH AN
 ALTERNATE POWER SOURCE

2

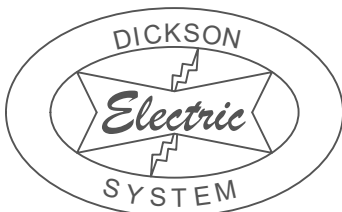
DES DISCONNECT

3

One Line Diagram

1. This diagram shows a typical installation and does not include all PV system components. Grounding connections are not shown for simplicity.
2. All PV and Whole Home Generator components shall be in compliance with the corresponding NEC and IEEE codes.
3. All transfer switches must be designed to never allow the PV or Whole Home Generator system to be connected to the house main service panel.
4. Installation details shall be approved by DES prior to installation, and must follow the general guidelines depicted in this drawing. Additional Requirements may be necessary as dictated by the appropriate DES Engineer.
5. DES inspector will be required to see system in operation. Be prepared to have a simulated outage by opening the DES disconnect and then transferring over to backup power.
6. If DES inspection fails, a \$50 re-inspection fee must be paid before DES will re-inspect.
7. Any alteration to bypass utility disconnect, including but not limited to wiring an alternate power source into the main panel, will result in immediate disconnection of service until a penalty of \$500 is paid and the home system is re-inspected by both DES and the State Electrical Inspector.
8. Any questions or concerns can be directed to: customergeneration@dicksonelectric.com

*Disconnect is not required to be fused if transfer switch has adequate protection already installed



200A Partial Home Generator
 with Solar Support

DATE:

10/20/2020

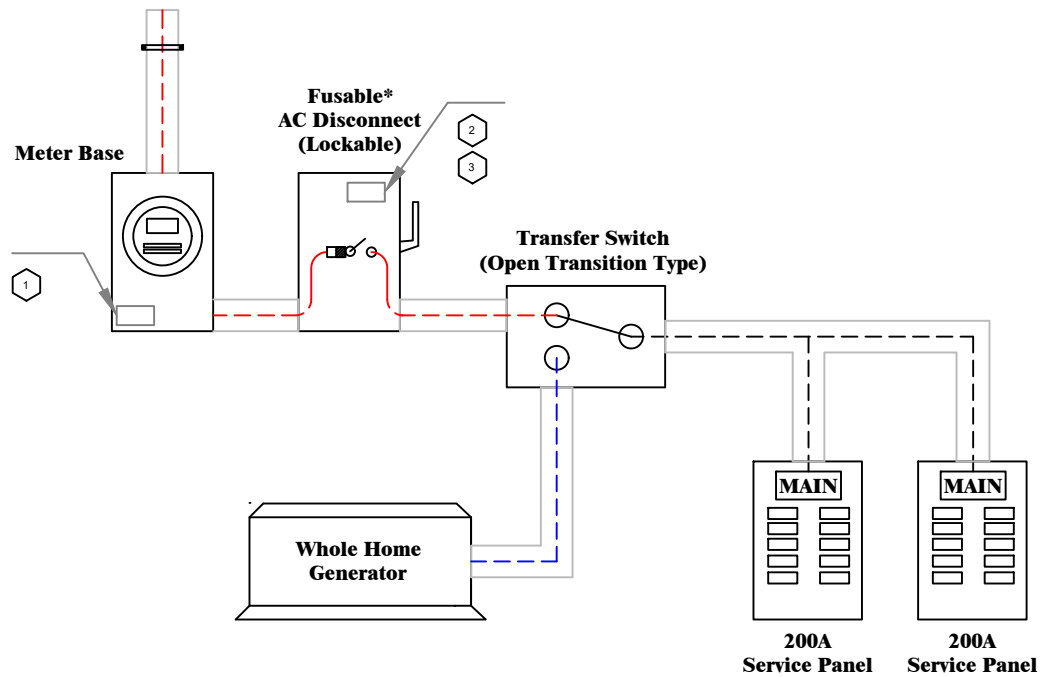
FIGURE NO:

4.1S

SCALE:

NONE

Any active Alternate Feed System that has not been approved by DES
Will Result in Immediate Disconnection of Electric Service



1

!WARNING!

SERVICE IS EQUIPPED WITH AN
ALTERNATE POWER SOURCE

2

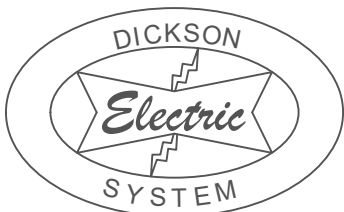
DES DISCONNECT

3

One Line Diagram

1. All Whole Home Generator components shall be in compliance with the corresponding NEC and IEEE codes.
2. All transfer switches must be designed to never allow the Whole Home Generator and DES service to be connected at the same time.
3. Installation details shall be approved by DES prior to installation, and must follow the general guidelines depicted in this drawing. Additional Requirements may be necessary as dictated by the appropriate DES Engineer.
4. DES inspector will be required to see system in operation. Be prepared to have a simulated outage by opening the DES disconnect and then transferring over to backup power.
5. If DES inspection fails, a \$50 re-inspection fee must be paid before DES will re-inspect.
6. Any alteration to bypass utility disconnect will result in immediate disconnection of service until a penalty of \$500 is paid and the home system is re-inspected by both DES and the State Electrical Inspector.
7. Disconnect is not required to be fused if transfer switch has its own protection built in.
8. Any questions or concerns can be directed to: customergeneration@dicksonelectric.com

*Disconnect is not required to be fused if transfer switch has adequate protection already installed



400A Full Service Generator

DATE:

10/20/2020

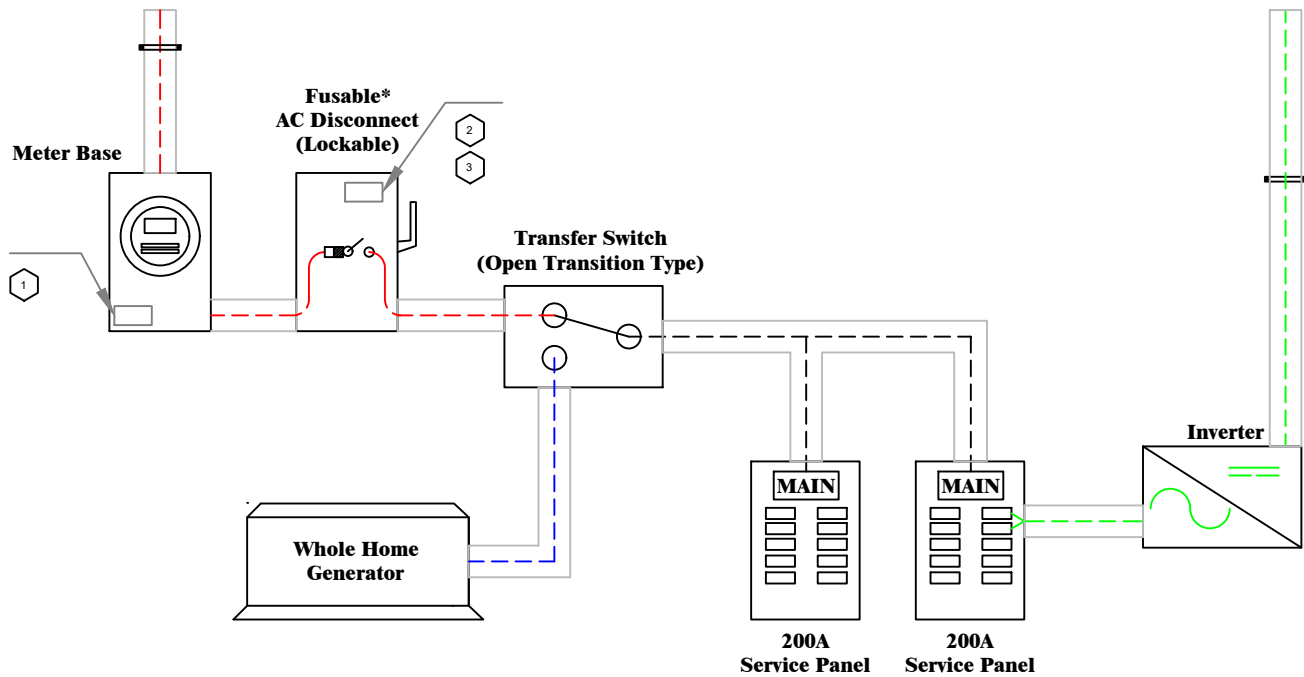
FIGURE NO:

4.2

SCALE:

NONE

Any active Alternate Feed System that has not been approved by DES
Will Result in Immediate Disconnection of Electric Service



1

!WARNING!
 SERVICE IS EQUIPPED WITH AN
 ALTERNATE POWER SOURCE

2

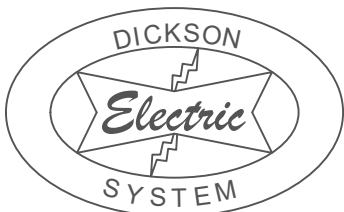
DES DISCONNECT

3

One Line Diagram

1. All Whole Home Generator components shall be in compliance with the corresponding NEC and IEEE codes.
2. All transfer switches must be designed to never allow the Whole Home Generator and DES service to be connected at the same time.
3. Installation details shall be approved by DES prior to installation, and must follow the general guidelines depicted in this drawing. Additional Requirements may be necessary as dictated by the appropriate DES Engineer.
4. DES inspector will be required to see system in operation. Be prepared to have a simulated outage by opening the DES disconnect and then transferring over to backup power.
5. If DES inspection fails, a \$50 re-inspection fee must be paid before DES will re-inspect.
6. Any alteration to bypass utility disconnect will result in immediate disconnection of service until a penalty of \$500 is paid and the home system is re-inspected by both DES and the State Electrical Inspector.
7. Disconnect is not required to be fused if transfer switch has its own protection built in.
8. Any questions or concerns can be directed to: customergeneration@dicksonelectric.com

*Disconnect is not required to be fused if transfer switch has adequate protection already installed



400A Full Service Generator with Solar Support

DATE:

10/20/2020

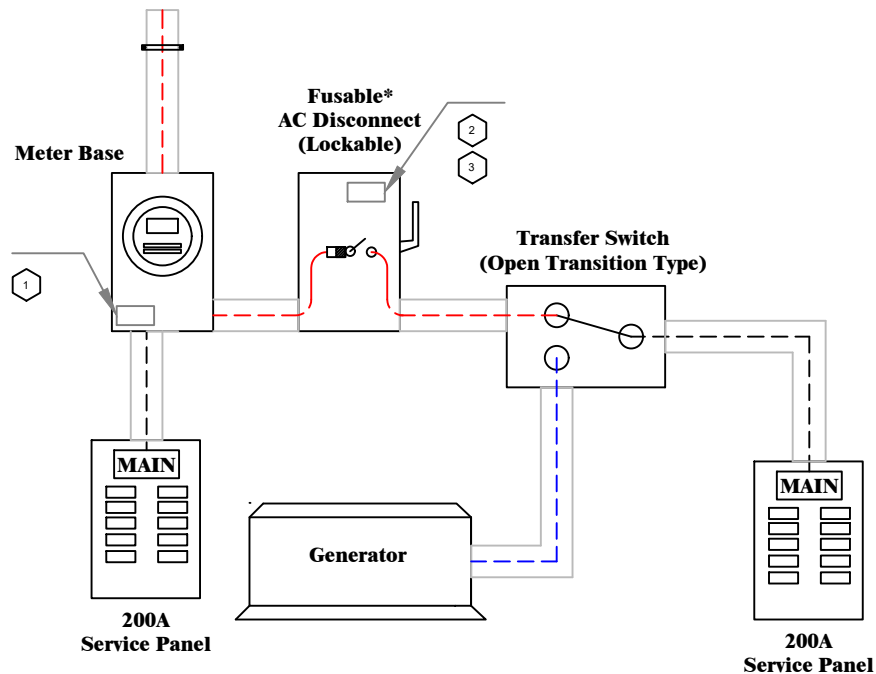
FIGURE NO:

4.2S

SCALE:

NONE

Any active Alternate Feed System that has not been approved by DES
Will Result in Immediate Disconnection of Electric Service



1

!WARNING!

SERVICE IS EQUIPPED WITH AN
ALTERNATE POWER SOURCE

2

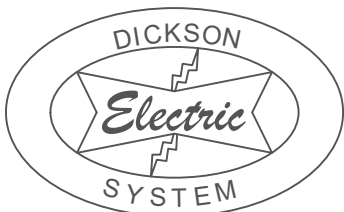
DES DISCONNECT

3

One Line Diagram

1. All Half Home Generator components shall be in compliance with the corresponding NEC and IEEE codes.
2. All transfer switches must be designed to never allow the Whole Home Generator and DES service to be connected at the same time.
3. Installation details shall be approved by DES prior to installation, and must follow the general guidelines depicted in this drawing. Additional Requirements may be necessary as dictated by the appropriate DES Engineer.
4. DES inspector will be required to see system in operation. Be prepared to have a simulated outage by opening the DES disconnect and then transferring over to backup power.
5. If DES inspection fails, a \$50 re-inspection fee must be paid before DES will re-inspect.
6. Any alteration to bypass utility disconnect will result in immediate disconnection of service until a penalty of \$500 is paid and the home system is re-inspected by both DES and the State Electrical Inspector.
7. Disconnect is not required to be fused if transfer switch has its own protection built in.
8. Any questions or concerns can be directed to: customergeneration@dicksonelectric.com

*Disconnect is not required to be fused if transfer switch has adequate protection already installed



400A Half Service Generator

DATE:

10/20/2020

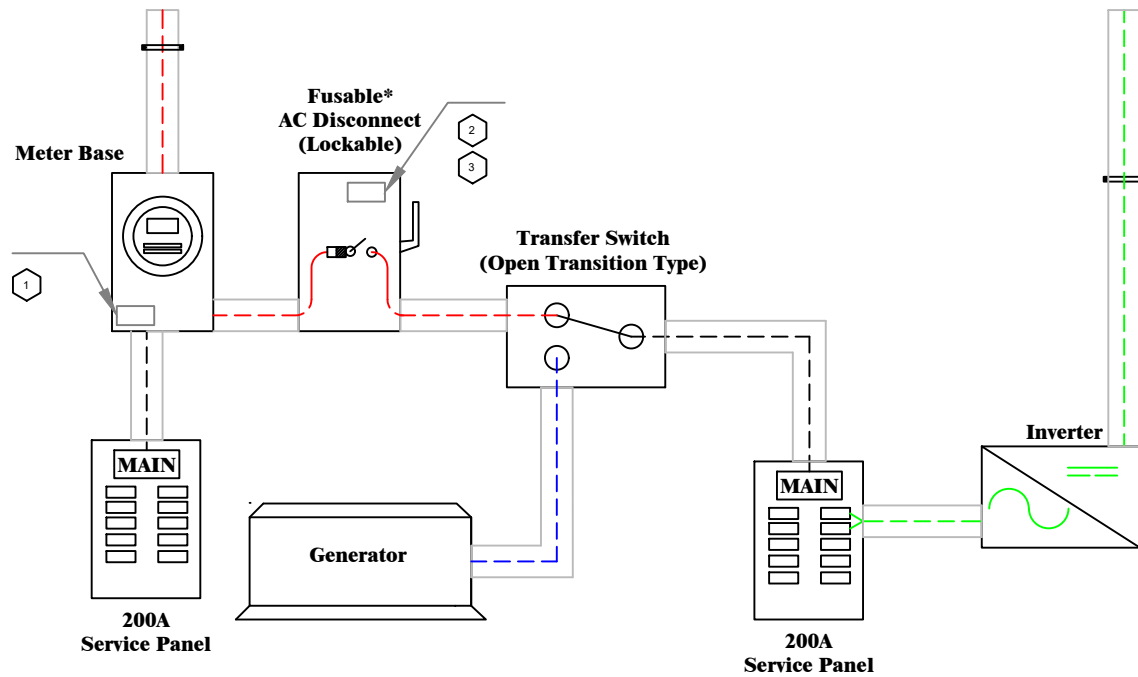
FIGURE NO:

4.3

SCALE:

NONE

Any active Alternate Feed System that has not been approved by DES
Will Result in Immediate Disconnection of Electric Service



1

!WARNING!
 SERVICE IS EQUIPPED WITH AN
 ALTERNATE POWER SOURCE

2

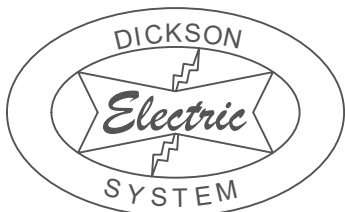
DES DISCONNECT

3

One Line Diagram

1. All Half Home Generator components shall be in compliance with the corresponding NEC and IEEE codes.
2. All transfer switches must be designed to never allow the Whole Home Generator and DES service to be connected at the same time.
3. Installation details shall be approved by DES prior to installation, and must follow the general guidelines depicted in this drawing. Additional Requirements may be necessary as dictated by the appropriate DES Engineer.
4. DES inspector will be required to see system in operation. Be prepared to have a simulated outage by opening the DES disconnect and then transferring over to backup power.
5. If DES inspection fails, a \$50 re-inspection fee must be paid before DES will re-inspect.
6. Any alteration to bypass utility disconnect will result in immediate disconnection of service until a penalty of \$500 is paid and the home system is re-inspected by both DES and the State Electrical Inspector.
7. Disconnect is not required to be fused if transfer switch has its own protection built in.
8. Any questions or concerns can be directed to: customergeneration@dicksonelectric.com

*Disconnect is not required to be fused if transfer switch has adequate protection already installed



400A Half Service Generator with Solar Support

DATE:

10/20/2020

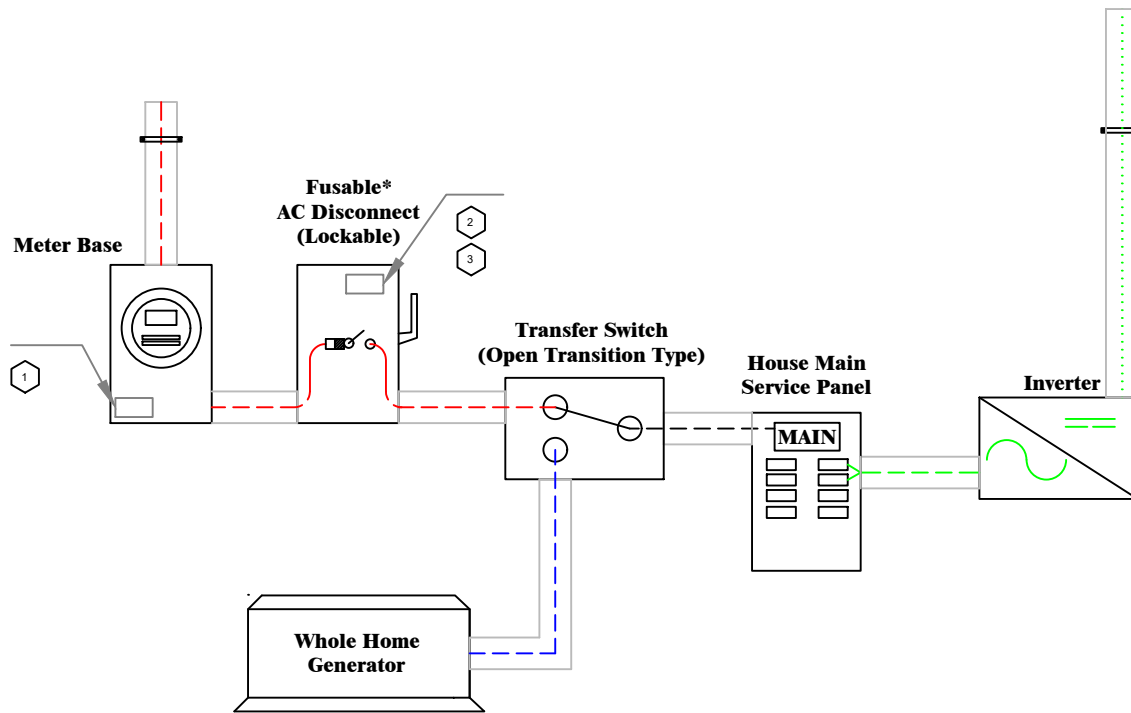
FIGURE NO:

4.3S

SCALE:

NONE

Any active Alternate Feed System that has not been approved by DES
Will Result in Immediate Disconnection of Electric Service



1

!WARNING!

SERVICE IS EQUIPPED WITH AN
ALTERNATE POWER SOURCE

2

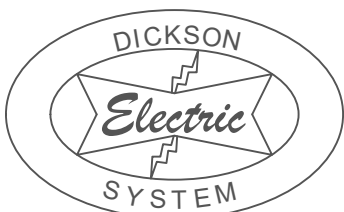
DES DISCONNECT

3

One Line Diagram

1. This diagram shows a typical installation and does not include all PV system components. Grounding connections are not shown for simplicity.
2. All PV and Whole Home Generator components shall be in compliance with the corresponding NEC and IEEE codes.
3. All transfer switches must be designed to never allow the Whole Home Generator and DES service to be connected at the same time.
4. Installation details shall be approved by DES prior to installation, and must follow the general guidelines depicted in this drawing. Additional Requirements may be necessary as dictated by the appropriate DES Engineer.
5. DES inspector will be required to see system in operation. Be prepared to have a simulated outage by opening the DES disconnect and then transferring over to backup power.
6. If DES inspection fails, a \$50 re-inspection fee must be paid before DES will re-inspect.
7. Any alteration to bypass utility disconnect, including but not limited to wiring an alternate power source into the main panel, will result in immediate disconnection of service until a penalty of \$500 is paid and the home system is re-inspected by both DES and the State Electrical Inspector.
8. Any questions or concerns can be directed to: customergeneration@dicksonelectric.com

*Disconnect is not required to be fused if transfer switch has adequate protection already installed



200A Whole Home Generator with Solar Support

DATE:

10/20/2020

FIGURE NO:

4S

SCALE:

NONE